

VALOTERRA

The new benchmark in precision planting



MONOSEM FOUNDING PRINCIPLES

Seed planting is an investment and a crucial step in ensuring crops reach their full potential. Many farmers in over **80 countries** worldwide have chosen to rely on **Monosem** technology. **We can now boast over 70 years of shared history.**

Today, this relationship built on reliability, durability and agronomic performance has been strengthened by technological innovations. From planters to cultivators, intelligence is at the heart of all **Monosem** equipment.

Our goals rest on three pillars: innovation for agriculture, top-quality performance and intelligence-driven sustainability.



ValoTerra

THREE-DIMENSIONAL ELECTRO-PERFORMANCE

—

ValoTerra is the new generation of precision planter from **Monosem**.
ValoTerra ensures your land is used to its full potential, while also protecting it.



Given that the best yields depend on emergence quality, the new **ValoTerra** planter has been designed with that in mind. Emergence quality combined with time-saving operating efficiency goes hand-in-hand with profitability and excellent ROI. This is explained in the **ELECTRO PERFORMANCE 1 (eP1)** section.



You can only reap the benefits of your soil if you protect it!
All the technological prowess of our group is brought together in the **ValoTerra**.
Enjoy discovering the intelligence behind our environmentally responsible solutions in the **ELECTRO PERFORMANCE 2 (eP2)** section.



The **ValoTerra** is designed to optimise the profitability of your operations (**eP1**), with environmental protection in mind (**eP2**).
But why stop there? We go a step further by offering you exceptional ease of use and operating pleasure.
The **ValoTerra** is a perfect example of down-to-earth technology open to new horizons. Discover our wide range of solutions in the **ELECTRO PERFORMANCE 3 (eP3)** section.



EMERGENCE AND PRODUCTIVITY DRIVING PROFITABILITY

The **ValoTerra** planter's new 100% electric architecture, unique seed metering box and planting accuracy and uniformity guarantees improved emergence and productivity.




epi



Emergence and Productivity driving profitability 

Smart solutions promoting sustainability 

Technology enhancing ease of use and operating pleasure 

ACCURACY FROM START TO FINISH

- 01 56V architecture
- 02 ValoTerra seed metering
- 03 Metering unit
- 04 Planting



A NEW 56V ARCHITECTURE

We opted for a **56V** system to unleash the performance potential of the **ValoTerra** planter.

The **56V architecture** means you can add more motors thanks to a generator capable of supplying almost **5.6kW** of power.

This capacity is a gateway towards **ultra-precision agriculture**.

The new 56V system paves the way for smart planting.

It optimises seed density and the dosing of other inputs, along with their distribution, based on the characteristics of your fields.



VALOTERRA SEED METERING

The seed metering box is the planter's core component.

We have ensured it is precise and versatile, to meet the agronomic performance and crop diversification needs of the future.

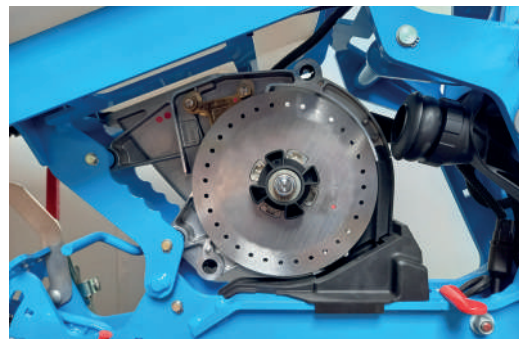
The **ValoTerra's** metering box introduces a new benchmark for precision planters.

Beyond offering improved performance, it has been specifically designed to be easy to use, versatile and robust.

Its electric motor and ergonomic design offer a great combination of leak-tightness and vacuum, providing utmost precision at high speed.

EASY TO USE

- + Changing the seed discs is a breeze when you need to switch from one seed variety to another
- + Changing crops takes less than a minute per row
- + Seed flow can be cut off to give access to the metering box even when the hopper is full
- + Easy to empty



VERSATILE

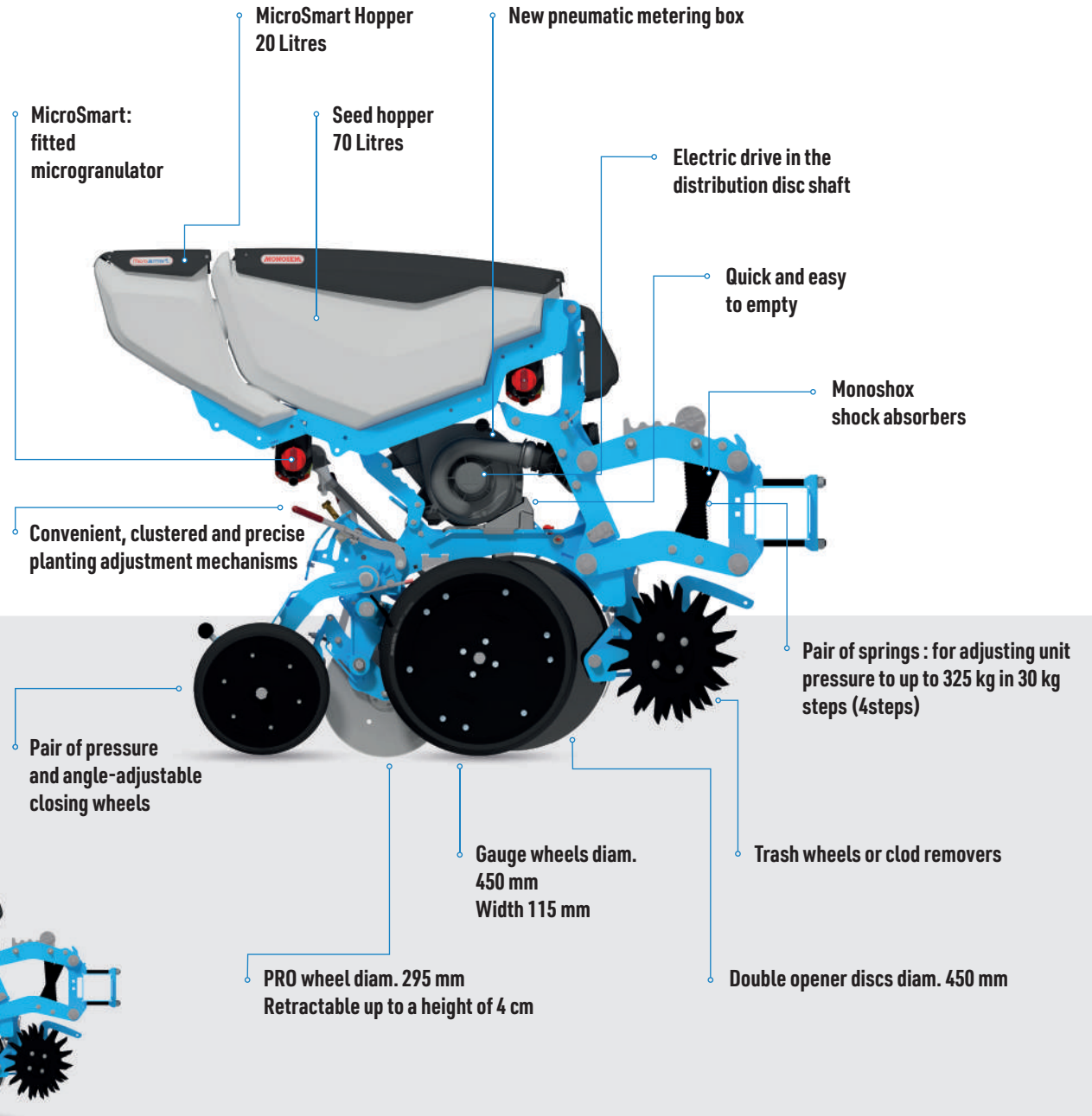
- + Pneumatic metering and smooth discs ensure perfect distribution for a maximum range of seeds and crops
- + Optimised suction for wider working ranges
- + Patented system for reducing the torque required to drive the disc independently of the vacuum level

SEED METERING UNIT

Several years of research and exchanges with farming professionals have enabled us to design a seed metering unit that is unbelievably well thought out.

From the metering box to machine maintenance, calibration and settings, everything has been optimised with the unique goal of saving you time.

Now, with the **ValoTerra** planter, you save time in and off the field.



Smart Acces : A unique lifting hopper system!

Routine planter maintenance and servicing are essential for keeping the planter in perfect working order and guaranteeing its durability.

Our team of specialists have therefore developed a patented lifting hopper system for easy maintenance at a convenient height.

Adjustments are now easier to make and maintenance can be carried out safely and efficiently.



PLANTING

With the **ValoTerra** metering unit, we have set a new benchmark in accurate and uniform planting.

We have taken the key features contributing to the success of **Monoshox** metering units and improved them!

From increased penetration force and stability in all situations, to precision settings that closely match agronomic requirements, no effort is spared in unlocking the potential of your crops.



Scan here to see the **ValoTerra** planter in action!

UNFAILING STABILITY

- + Up to 325 kg of pressure on the double opener discs, with suspension ensuring a constant planting depth
- + Efficient penetration with no mud spatter thanks to the largest furrow opener discs (diam. 450 mm) on the market
- + Reduced angle of attack to minimise seed bed disturbance
- + Gauge wheels with a diameter of 450 mm ensure excellent metering unit stability

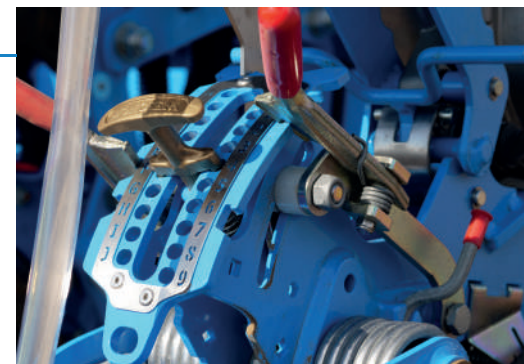


PRECISE PLACEMENT OF EACH SEED

- + 19 available depth settings
- + V-shaped furrow for accurate seed positioning
- + Individually adjustable suspended Pro wheel, with high-clearance retraction (4 cm)
- + Closing wheel unit with a wide range of wheel pressure and angle settings

QUICK AND EASY TOOL-FREE ADJUSTMENTS

- + Clustered controls to adjust planter settings in next to no time
- + A novel system for adjusting trash wheel height
- + A handy lever to remove the tip located between the double opener discs easily





SMART SOLUTIONS PROMOTING SUSTAINABILITY

With **MicroSmart** and **FertiSmart**, **Monosem** is breaking new ground in seed protection and nutrition.

These new solutions combined with our existing **Isobus** features offer unrivalled accuracy and environmental protection.



SDG 2



Emergence and Productivity driving profitability



Smart solutions promoting sustainability



Technology enhancing ease of use and operating pleasure



LOOK AFTER YOUR CROPS WITH MONOSEM'S SMART SOLUTIONS

01

MicroSmart

02

FertiSmart

03

TC-GEO

04

TC-SC

MicroSmart

AN INNOVATIVE MONOSEM SOLUTION TO HELP SEEDS THRIVE

This equipment enables you to control your inputs **row by row**.

The new **MicroSmart** microgranulator comes with the **SectionControl** feature as standard, to prevent any overlaps when applying inputs.

All you need is an **Isobus** terminal with this feature enabled to enjoy utmost accuracy and convenience.

Enjoy up to **7% savings on inputs**, which represents an average potential saving of €4.4 per hectare, depending on the product.

What's more, the **MicroSmart** is simply yet ingeniously designed:

- + **MicroSmart** capacity: 20 Litres
- + Easy to calibrate with flexible pipes
- + Ergonomic ON/OFF/EMPTY control dial
- + Colour-coded distribution screw, visible to the user
- + Quarter-turn opening mechanism for changing screws or quick maintenance
- + Convenient loading height for operator comfort and safety



Scan here to see
the **MicroSmart**
microgranulator
in action!





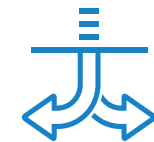
SAFE AND EASY TO USE

- Two tool-free interchangeable screws, for insecticide, molluscicide and microgranular fertiliser inputs
- Gravity-based product metering and delivery to ensure safe operating conditions for users
- Input levels in hoppers are safely monitored by an algorithm



ACCURATE AND LINEAR DOSING

- A linear product distribution range of between 2 to 35 kg per hectare for standard working speeds, products and inter-rows.
- Metering of all products that protect your seeds and young plants from pests
- Metering of microgranular fertilisers to boost seedling growth



TWO OUTLETS FOR OPTIMUM EFFICIENCY

With a rear-mounted **MicroSmart** unit, you have a choice of two application outlets:

- An outlet for insecticides and microgranular fertilisers, which are buried along with the seeds. It ensures your seeds are well protected and nourished.
- An outlet for applying products to the surface of the furrow, which is ideal for controlling slugs

FertiSmart

A GROUND-BREAKING SOLUTION FOR FERTILISER APPLICATION

FertiSmart is a smart solution for fertilisers, which goes above and beyond the limits of current technologies.

The new **FertiSmart** fertiliser dosing unit, exclusively designed by **Monosem**, is able to apply dry fertiliser, with **row-by-row** section control.

Its revolutionary design guarantees accurate application and a high gravity-based drop rate of up to **600 kg per hectare**.

The **FertiSmart** unit provides optimum performance whatever the terrain, slopes included, even where demanding fertilisers are concerned.



Scan here
to see the
FertiSmart
unit in action!





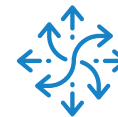
SAVINGS ON INPUTS

- Reduce costs by 21% thanks to localised application
- Up to 7% savings with row-by-row control
- Cut nutrient loss thanks to in-furrow and point-by-point application
- Less tractor runs required thanks to combined fertiliser and seed protection application



ENVIRONMENTAL BENEFITS

- Accuracy reduces fertiliser volatilisation, leading to an 80% cut in greenhouse gas emissions.



INCREASED VERSATILITY

- Takes slopes in its stride so that even challenging conditions are not a bother
- Meets the very diverse nutritional needs of crops such as rapeseed
- Compatible with various fertilisers (bulk, urea, DAP, etc.)



CONVENIENT AND EASY TO USE

- Easy to maintain, calibrate, empty and service thanks to simple adjustment mechanisms



MONOSEM TC-GEO



THE RIGHT RATE IN THE RIGHT PLACE!

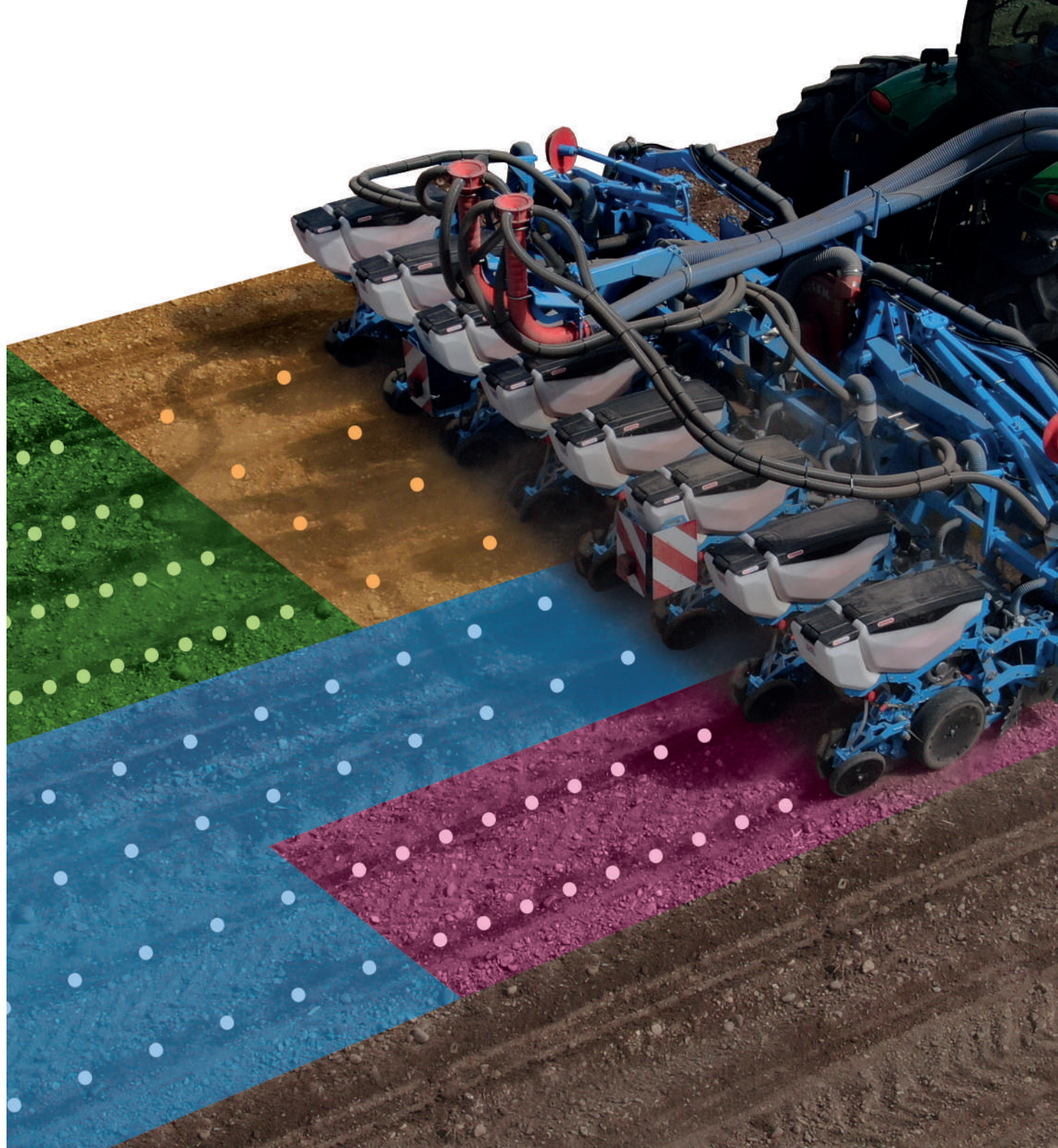
High-precision is the watchword here, to boost savings on inputs, optimise yields and protect the environment!

There was a time when dosing rates adjusted according to a prescription map had to be applied across the entire width of a machine – the planter in our case.

Now, **ValoTerra** has gone a step further to offer you increased precision.

You can now divide the working width into sections of **up to four planter units** to adjust your planting operations to perfection.*

*Also available for MicroSmart and FertiSmart from 2023



MONOSEM TC-SC



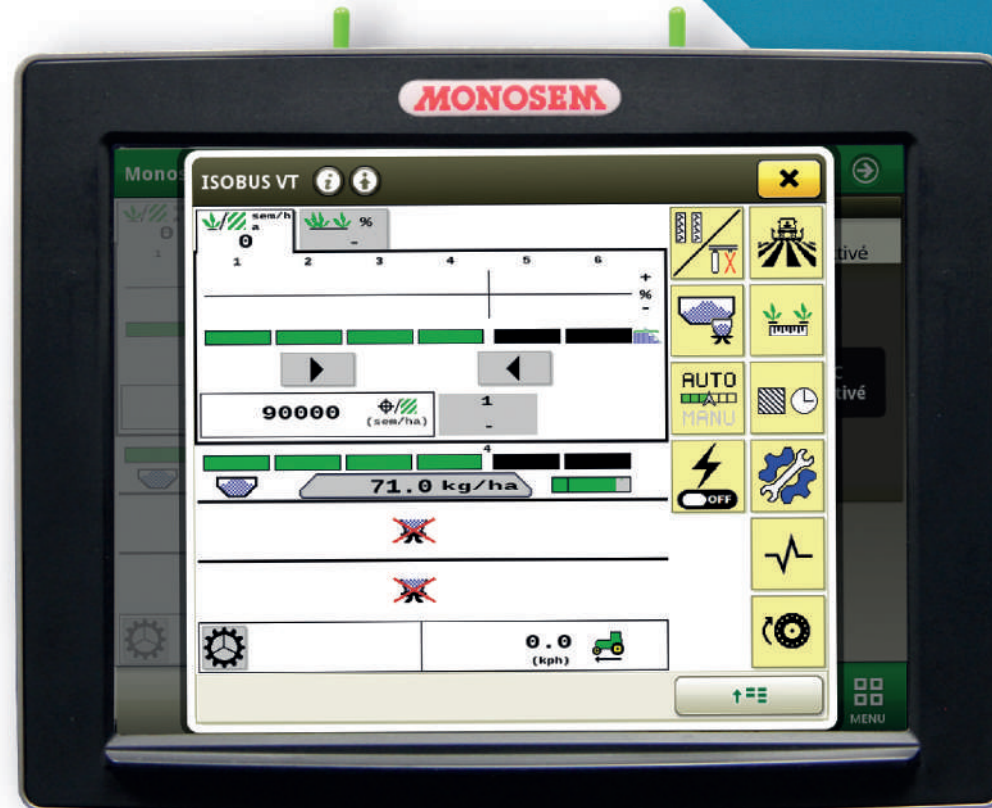
NO OVERLAPS!

Eliminating overlaps, saving on inputs and making subsequent crop operations easier are all smart solutions for driving operating efficiency and sustainability!

Managing overlaps is now a standard feature. Besides enabling you cut back on seeds and inputs, it also helps you manage cultivator runs much more effectively.

ValoTerra's Isobus technology includes a GPS device that enables you to manage row cut-off for up to 24 rows.

The on-board terminal screen displays the cut-offs using a variety of colours and shadings for a clearer overview. What's more, when a row is cut off, a sound is emitted to notify the operator.



Monosem Touch Pro Isobus terminal



TECHNOLOGY ENHANCING EASE OF USE AND OPERATING PLEASURE

Ease of use and operating pleasure to get the best out of precision solutions

A pledge **ValoTerra** promises to keep with its connectivity and exceptional services.





Emergence and Productivity
driving profitability



Smart solutions
promoting sustainability



Technology enhancing ease of use
and operating pleasure



MOVE UP A GEAR AND ENJOY A NEW LEVEL OF SERVICES TO MANAGE YOUR CROP OPERATIONS

01

ValoTerra Software

02

Monosem Plus App

03

Remote Display Access

04

Cloud, JDLink & Operations Center

VALOTERRA SOFTWARE

ValoTerra software is used to control and monitor planting operations and complies with the **Isobus** standard. You can therefore control your planter from a terminal that is **Isobus** compatible, such as the **Monosem Touch Pro, Touch** and **Touch Mini** consoles.

This user-friendly and intuitive software enables you to set and control seed distribution, as well as monitor planting quality in real time.

You can now enjoy controlling and monitoring your fieldwork with our ergonomic and information-rich software.



MAIN FEATURES OF THE VALOTERRA SOFTWARE

- Tramlines
- Target density
- Actual density
- Working speed
- Hopper filling indicator
- Seed drop precision monitoring (spacing coefficient)
- Seed metering quality monitoring (omissions, duplicates)
- Seed, fertiliser and microgranulate metering controlled from the terminal
- Settings library for all inputs (product calibration is saved in the software)
- Compatible with TC-GEO (variable rate) and TC-SC (section control) for all products applied

It goes without saying that **ValoTerra** software guarantees a new level of services. Enjoy discovering these services over the next few pages.

THE MONOSEM PLUS APP

With the **Monosem Plus** app, control seed metering and unit calibration from your smartphone, without being in the tractor cab!



FULL CONTROL USING YOUR SMARTPHONE

The long wait for ultimate operating comfort is over thanks to the **Monosem Plus** app.

Installed on your smartphone, **Monosem Plus** hands you control over each seed metering box.



A **WDS** (Wireless Data Server) added to the seed planter's architecture enables you to run diagnostics on each row** from your smartphone using "WiFi Direct".



Available in
Google Play

Available in App Store
from 2023

**The Monosem Plus version available in 2022 will only control the metering box

MONOSEM
Enhanced precision

REMOTE DISPLAY ACCESS

Stay connected to your machine, even away from the field!

What could be more convenient and reassuring than having constant remote access to your seed planter's nerve centre?



This feature is available by installing an optional **MTG** (*Modular Telematic Gateway*) module, which sends data over the cellular network.

It works thanks to the function **RDA** (*Remote Display Access*) solution.



REMOTE UPDATING

With the **MTG module** (*Modular Telematic Gateway*) installed on your planter, you can manage any maintenance operations required on your machine remotely and download updates.

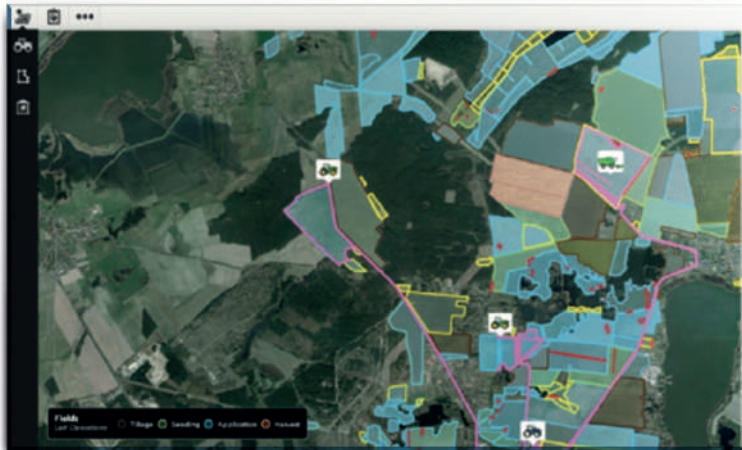
CLOUD MyJohnDeere.com

The cloud can be accessed by anyone, anywhere!*

You can use the **MyJohnDeere.com** cloud solution to store management data for your fields and **Monosem** equipment.

This cloud is accessible to absolutely everyone!

Anyone can set up an account, register and use this data storage hub free of charge.



*Compatible with Monosem Touch Pro, John Deere 4640 and 4600 terminals

The Cloud MyJohnDeere.com

JDLINK

Operations Center

TWO COMPLEMENTARY YET UNIQUE APPLICATIONS

The **Operations Center** application hosted by **MyJohnDeere.com** can help you manage the documentation of agronomic data for your fields.

Parallel to this, the **JDLINK** application offers technical management solutions for your **Monosem** equipment.

TWO-WAY INTERACTION FOR COMFORT AND PEACE OF MIND!

Monosem's unique brand of precision farming is not only about collecting agronomic data. It also focuses on the interaction between equipment owners and their machines.

This interaction is key to optimising settings, managing field work and reducing maintenance costs.

Monosem precision farming pays specific attention to two-way communication between machinery and the cloud, and therefore the owner.

This communication offers ease of use and productivity gains that surpass your standard precision farming solutions.

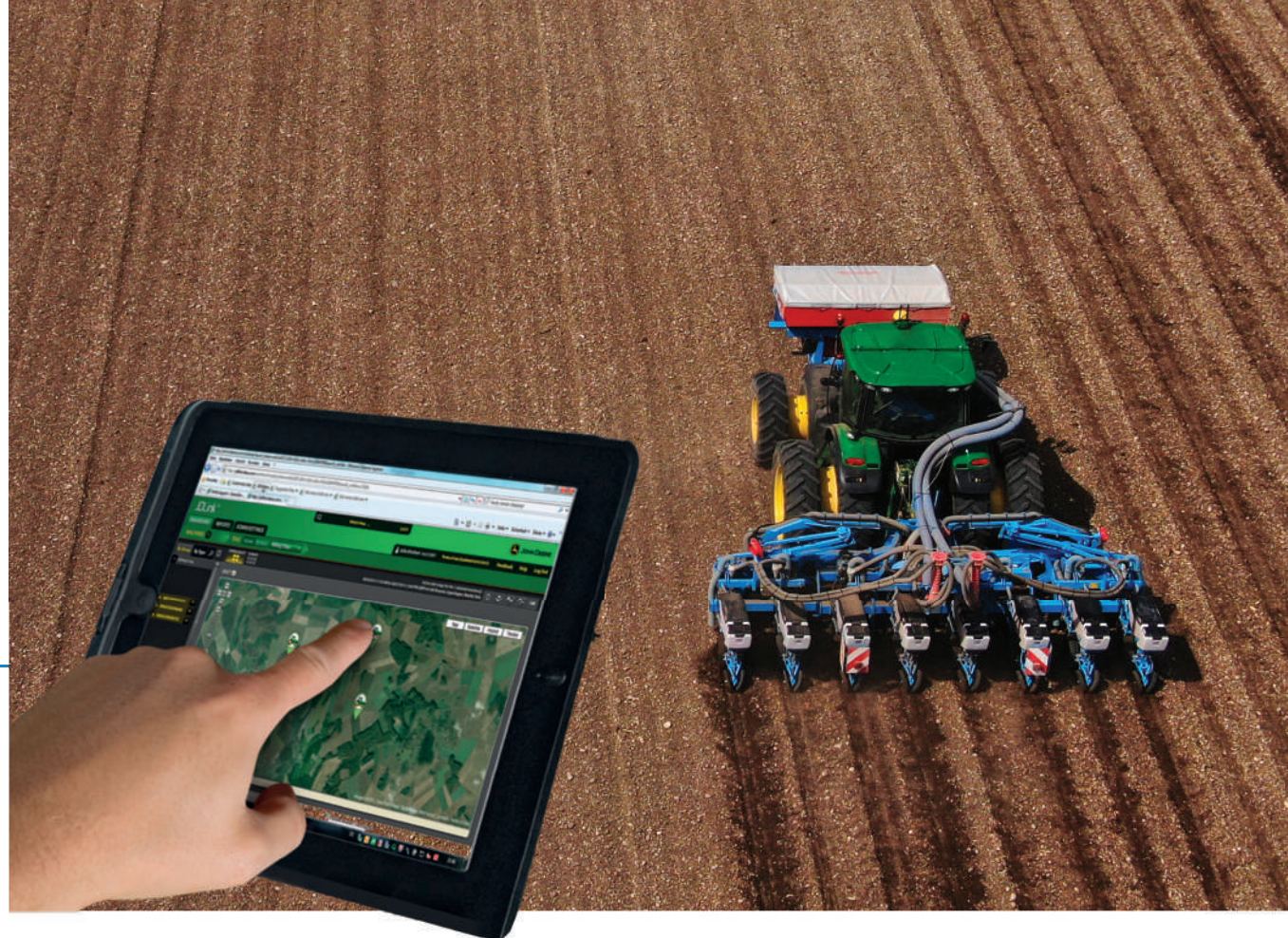
JDLink

HELPING YOU MANAGE YOUR MONOSEM EQUIPMENT

As well as storing information about your equipment, such as serial numbers, product names, configurations and settings, the **JDLink** system also offers you countless other advantages.

TRANSFER OF TECHNICAL DATA FROM THE PLANTER... TO MONITOR YOUR EQUIPMENT IN REAL TIME!

Technical data including alerts, maintenance plans and location data are transferred in real time by the optional **MTG** (*Modular Telematic Gateway*) module installed on the planter.



AN AGILE SOLUTION OFFERING COUNTLESS POSSIBILITIES

- Track your equipment's location in real time
- View the movements log
- Receive alert messages from the **DTC** (*Diagnostic Trouble Code*) alert system by email or text message if technical faults are detected
- Receive real-time alerts if your planter travels outside of an area you have pre-defined
- Receive alerts if your planter is used outside of a time window you have pre-defined
- Receive maintenance recommendations for your equipment
- Update your planter software remotely by authorising access to your technical support

Operations Center

HELPING YOU DOCUMENT AGRONOMIC DATA

Besides enabling you to save general information on clients and fields, **Operations Center** is also a powerful documentation, mapping and traceability tool.



TWO-WAY INTERACTION FOR CONVENIENCE AND PEACE OF MIND!

Enjoy browsing through data such as seed variety, target planting density, actual density, metering rate, seed spacing and variation rates, and working speed.

What's great is that your data can be processed in the **Operations Center** whatever your tractor brand.

There are also solutions for exporting data and using prescription maps on **Monosem** planters, provided that tractors are appropriately equipped.

Don't hesitate to contact your **Monosem** dealer for further information.

THREE DATA TRANSFER OPTIONS



MANUAL TRANSFER USING A USB MEMORY STICK

Manually transfer your crop data from any tractor terminal to the **Operations Center** using a compatible USB memory stick (make sure the terminal has a USB port).



TRANSFER USING A WIFI HOTSPOT

This type of data transfer is easy if you are equipped with a **Monosem Touch Pro** box or a **John Deere 4640** terminal. As soon as you are near a WiFi hotspot, your data is automatically sent to the **cloud**.

Solutions combining an **MDT** (*Mobile Data Transfer*) USB stick and a smartphone installed with a **WDT** (*Wireless Data Transfer*) app are available for any other on-board computers, regardless of the tractor brand.



TRANSFER DATA TO THE CLOUD IN REAL TIME

The ideal solution for tractors or terminals equipped with their own **MTG** (*Modular Telematic Gateway*) module.

As you've probably noticed, our versatile system is compatible with countless solutions to meet every need!

ValoTerra

Range and main equipment items

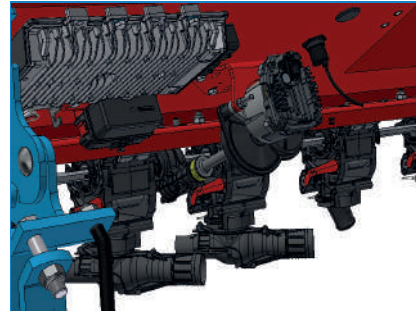
MODELS		MB 260 6R ST 70/75/80	TFC2 8R 70/75/80	TFC2 9R 55/60	TFC2 12R 45	TFC2 12R 50
PLANTER	Number of rows	6	8	9	12	12
	Inter-rows	70/75/80	70/75/80	55/60	45	50
	Working width	4M20-4M80	5m60-6m40	4m95-5m40	5m40	6m00
	Transport width	3M50	3m00	3m00	3m00	3m00
FERTILISER UNIT	FertiSmart on planter	980L	1350L	-	-	-
	Equipment for front-mounted fertiliser units	STD	STD/DUO	STD	STD/DUO	STD/DUO
MICROSMART	MicroSmart AR	20L	20L	20L	20L	20L

Main options

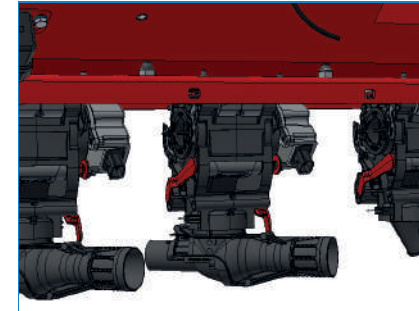
Microgranulator, Fertiliser units, Isobus terminals



MicroSmart Microgranulator
AR20L Insecticide / Micro Fertiliser
*Per row



FertiSmart Fertiliser Unit
With ISM (Integrated Smart Motors) drive
One motor for several dosing units



FertiSmart Fertiliser Unit
With MSM (Monosem Smart Motors) drive
One motor per dosing unit



Monosem Touch Mini ISOBUS terminal
With tractor wiring harness



Monosem Touch ISOBUS terminal
Can display up to 5 software programs at once With tractor wiring harness



Monosem Touch Pro ISOBUS terminal
Can display up to 5 software programs at once With tractor wiring harness

MONOSEM

Enhanced precision

15 rue Beaujon - 75008 Paris - France

+33 (0)549 815000



Business no.: 303953566 - R.C.S. Paris

Reference no.: 92800EN

www.monosem.com

All the information concerning the different types of equipment, including external appearance, weight and dimensions, was correct at the time of printing and may vary from country to country. The information may be modified by us without prior notice. This document may not be regarded as a binding in any way. Your Monosem dealer will certainly notify you of any changes. To illustrate this document, certain protective devices may have been removed from equipment. However, this remains exceptional. As indicated in the user instructions, these devices should never be removed.

Printed by: Prouteau Imprimerie Bressuire / Photo Credits: Monosem, Shutterstock



IMPRIM'VERT®

Monosem is committed to the environment **MonoGreen**